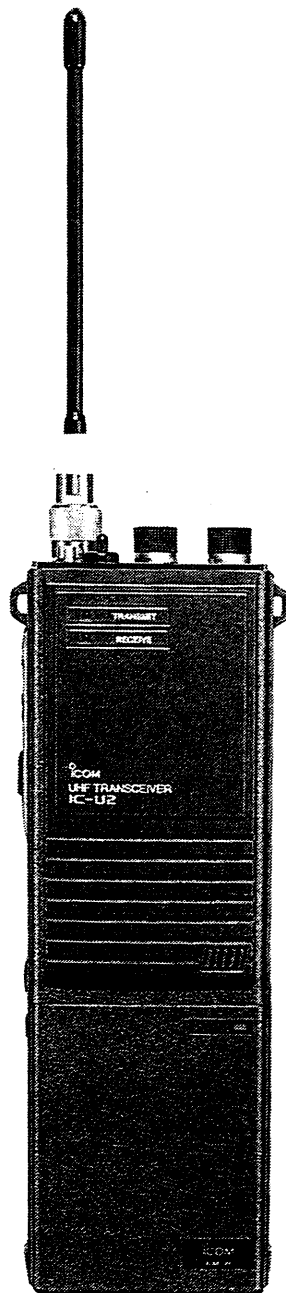


## SECTION 3 CONTROL FUNCTIONS (IC-U2)



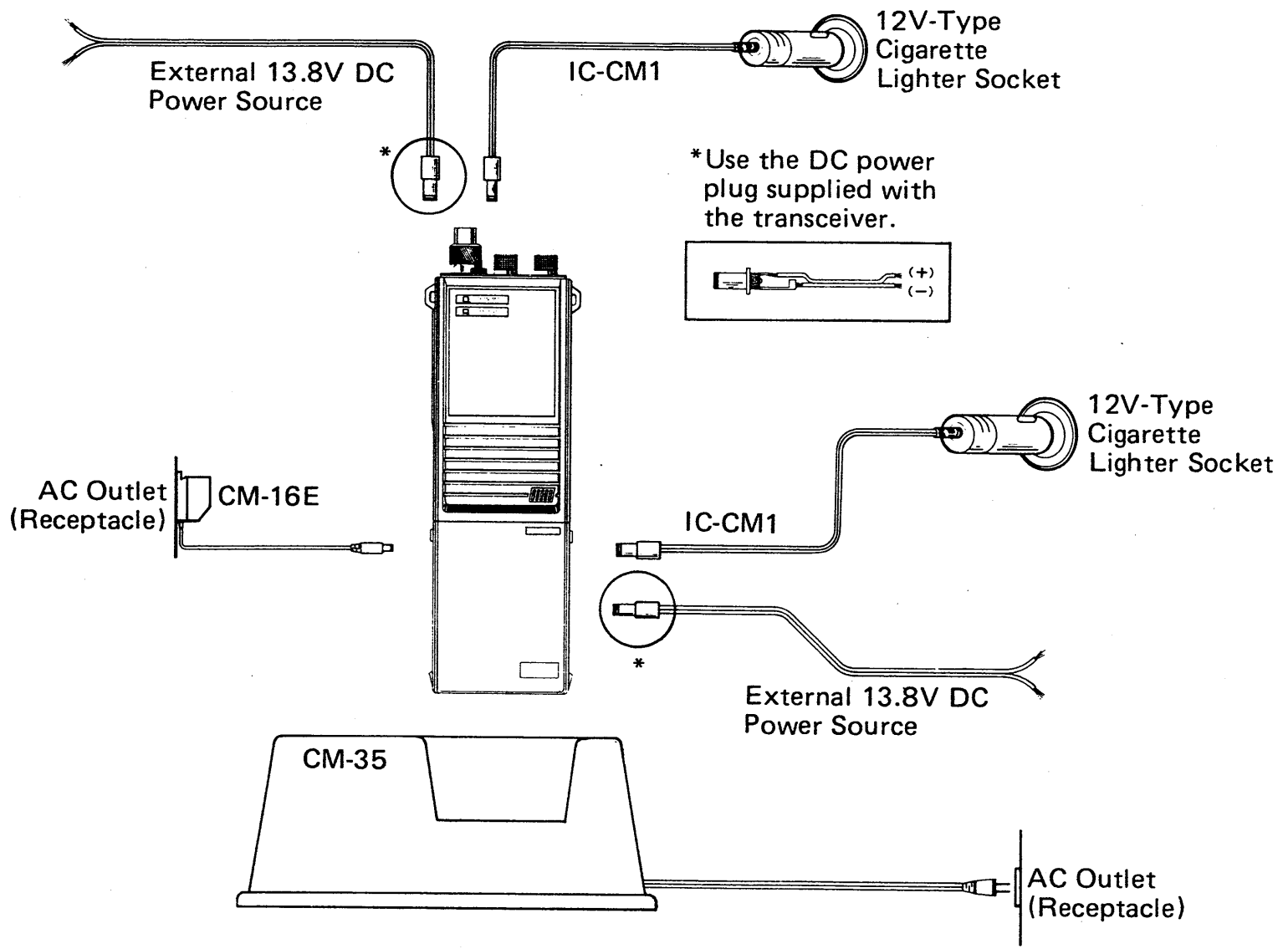
UHF FM TRANSCEIVER

# IC-U2

CONTROL FUNCTIONS

For IC-H16 and IC-U16 see SECTION 4

# Charger Connections



● **ANTENNA CONNECTION**

Insert the connector on the flexible rubber antenna into the antenna connector on the top of the transceiver. Screw down securely.

● **BELT CLIP INSTALLATION**

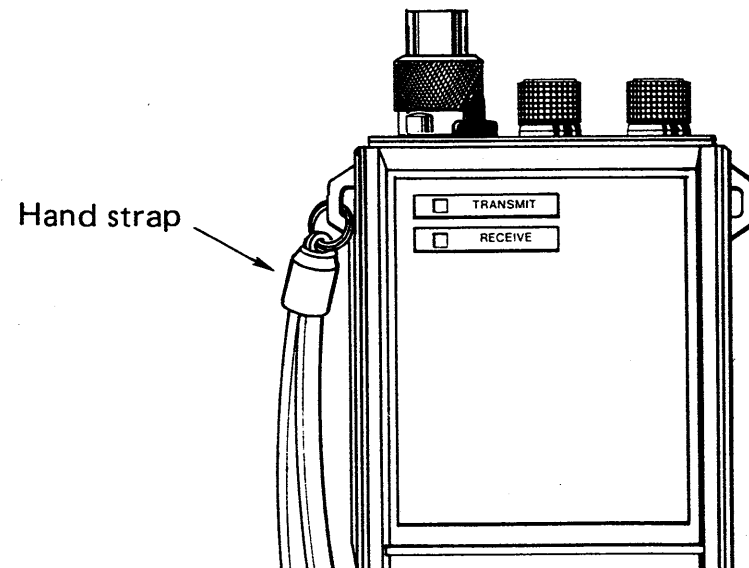
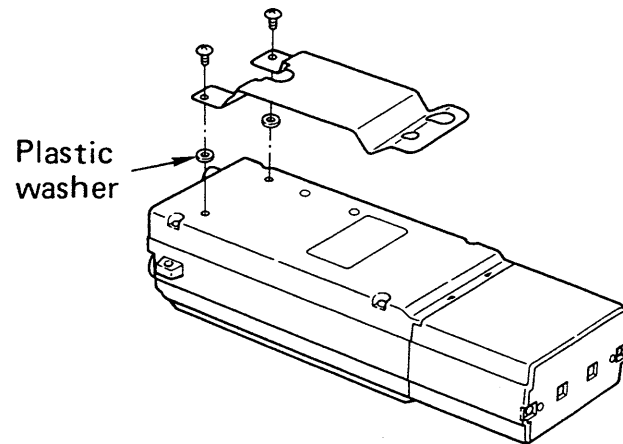
Attach the belt clip to the back panel using the two supplied screws and plastic washers.

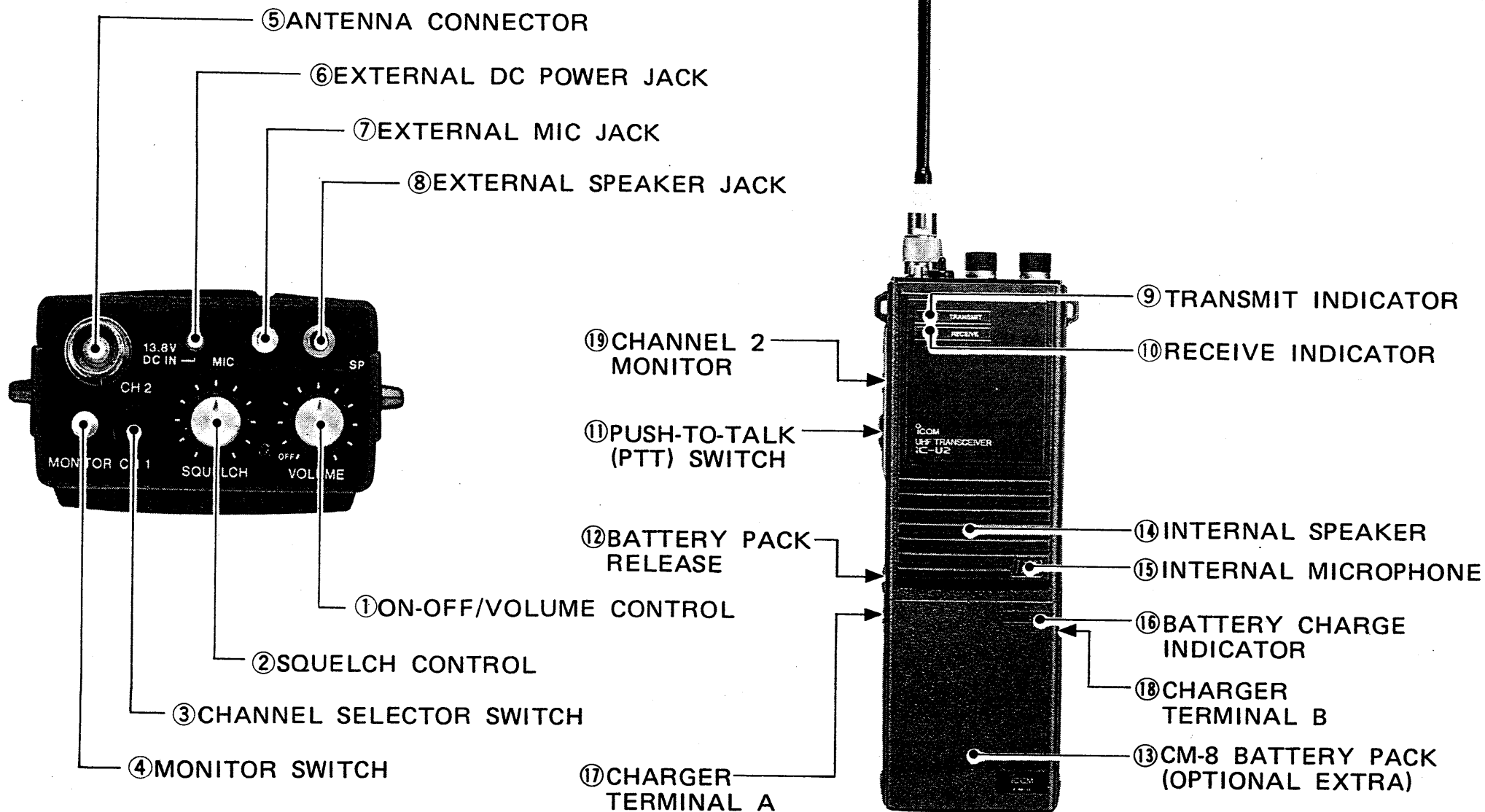
● **HAND STRAP ATTACHMENT**

Spread open and slide the ring of the hand strap over either of the projecting loops on the sides of the transceiver.

● **ATTACHMENT OF BELT CLIP AND HAND STRAP**

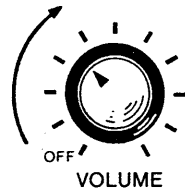
- Attach the belt clip on the back panel with 2 screws supplied.





**① ON-OFF/VOLUME CONTROL**

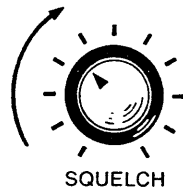
Increases the audio level.



Rotate clockwise to turn the transceiver ON and increase the audio level.

**② SQUELCH CONTROL**

Raises the threshold level.



Sets the squelch threshold level. Rotate this control completely counterclockwise to turn OFF the squelch function, and clockwise to raise the threshold level.

**③ CHANNEL SELECTOR SWITCH**

This switch selects Channel 1 (CH1) or Channel 2 (CH2).

**④ MONITOR SWITCH**

Push IN this lock switch in order to override the CTCSS decoder circuit when it is in the mute condition. For normal operation, leave the switch OUT (push again and release).

**⑤ ANTENNA CONNECTOR**

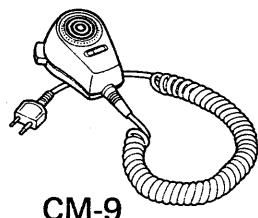
All antennas connected to the transceiver must be 50Ω and should be equipped with a TNC plug.

**CAUTION:** Transmitting without an antenna may damage the transceiver.

**⑥ EXTERNAL DC POWER JACK**

Connect the IC-CM1 CIGARETTE LIGHTER CABLE or external 13.8V DC power source to this jack for mobile operation. The battery pack does not need to be attached for operation of the transceiver. However, if the battery pack is attached, it charges simultaneously.

**⑦ EXTERNAL MIC JACK**



The optional CM-9 or EM-46 SPEAKER-MICROPHONE, optional HS-10 HEADSET can be connected for additional flexibility. (The HS-10 requires the HS-10SA VOX unit or the HS-10SB PTT SWITCH BOX). The built-in microphone is not functional when an external microphone is connected.

**⑧ EXTERNAL SPEAKER JACK**

Connect either an  $8\Omega$  external speaker or the supplied earphone for private listening.

**⑨ TRANSMIT INDICATOR**

This indicator lights up when the transceiver is in the transmit mode.

**⑩ RECEIVE INDICATOR**

This indicator lights up when the transceiver is in the receive mode.

**⑪ PUSH-TO-TALK (PTT) SWITCH**

Push this switch to begin transmitting.

**⑫ BATTERY PACK RELEASE BUTTON**

Push the release button upwards, and slide the battery pack to the right to remove it from the IC-U2.

**⑬ CM-8 BATTERY PACK**

The CM-8 is a fully rechargeable NiCd battery pack that easily connects to the IC-U2. (Optional extra)

**⑭ INTERNAL SPEAKER**

The IC-U2's internal speaker will operate when the transceiver is receiving. However, it will not operate if an external speaker is connected to the EXTERNAL SPEAKER JACK.

**⑮ INTERNAL MICROPHONE**

The IC-U2's internal microphone will operate when the transceiver is transmitting. However, it will not operate if an external microphone is connected to the EXTERNAL MICROPHONE JACK.

For high performance operation using an external microphone, the optional CM-9 or EM-46 SPEAKER-MICROPHONE is recommended.

**⑯ BATTERY CHARGE INDICATOR**

Lights up during battery charging with the optional CM-16E WALL CHARGER.

**⑰ CHARGER TERMINAL A**

Connects the output plug from the optional CM-16E WALL CHARGER here.

**⑱ CHARGER TERMINAL B**

Connects the output plug from an external 13.8V DC power source here.

**⑲ CHANNEL 2 MONITOR**

Push this switch to monitor channel 2 when receiving on channel 1.

## ●RECEIVING

- 1) Rotate the ON-OFF/VOLUME CONTROL clockwise to turn the power ON.
- 2) Rotate the SQUELCH CONTROL fully counterclockwise and then push IN the MONITOR SWITCH.
- 3) Adjust the ON-OFF/VOLUME CONTROL to a comfortable listening level.
- 4) Rotate the SQUELCH CONTROL clockwise until the noise is quieted. This is the threshold point where signals can be received.
- 5) Push OUT the MONITOR SWITCH to turn ON the monitor function.
- 6) Set the CHANNEL SELECTOR SWITCH to select the desired channel.

## ●TRANSMITTING

- 1) Hold IN the PTT SWITCH (now the transceiver is in the transmit mode) and then speak into the microphone using your normal voice level.
- 2) Release the PTT SWITCH to return to the receive mode.



## SECTION 5 GENERAL SPECIFICATIONS

	IC-H16/IC-U16	IC-U2
• CHANNEL SPACING :	12.5kHz	12.5kHz
• NUMBER OF CHANNELS :	16	2
• COMPLIANCE :	MPT 1301	MPT 1301
• APPROVED NUMBER :	RTD3195 (IC-H16) RTD3282 (IC-U16)	RTD3386
• AF POWER OUTPUT :	0.5W	0.5W
• RF POWER OUTPUT :	SEE TABLE ON PAGE 32	SEE TABLE ON PAGE 32

● **BATTERY PACK SPECIFICATIONS**

BATTERY PACK MODEL	HEIGHT	CHARGER REQUIRED	OUTPUT VOLTAGE (V)	TYPICAL OUTPUT (IN WATTS)	REPLACEABLE BATTERIES	NOTES
<b>CM-2</b>	39mm 1.6 inch	CM-35	7.2	2.0	No	Low power/Quick charge (1.5hr.) Long life/Overcharge protected.
<b>CM-3</b>	39mm 1.6 inch	CM-25E or CM-35	8.4	3.0	No	Standard power/Standard charge (15hr.).
<b>CM-5</b>	60mm 2.5 inch	CM-35	10.8	4.0	No	Medium power/Long life Quick charge (1.5hr.)/ Overcharge protected.
<b>CM-5A</b>	79.5mm 3.2 inch	CM-16E or CM-35	10.8	4.0	No	Medium power/Quick charge (1.5hr.)/Overcharge protected or Slow charge.
<b>CM-7</b>	79.5mm 3.2 inch	CM-16E or CM-35	13.8	5.0	No	High power/Quick or slow charge.
<b>CM-8</b>	79.5mm 3.2 inch	CM-16E or CM-35	8.4	3.0	No	Standard power/Long life (800mAH).

## SECTION 6 ACCESSORIES (OPTIONAL)

- **IC-CM1  
CIGARETTE LIGHTER CABLE** Plugs into cigarette lighter socket to charge CM-3, CM-5A, CM-7 or CM-8, or to operate unit from car battery.
- **CM-4 BATTERY CASE** For AA size NiCd or dry batteries.
- **CM-35  
AC BATTERY CHARGER** Charges all ICOM battery packs. Charges CM-3 in 15 hours, CM-2, CM-5, CM-5A and CM-7 in 1.5 hours fast, and the CM-8 in 3 hours.
- **CM-9, EM-46  
SPEAKER-MICROPHONE** Plugs into transceiver and clips on lapel or pocket. Has PTT switch.
- **CARRYING CASES** High quality cases to protect your transceiver available.
- **CM-16E WALL CHARGER** Charges CM-5A, CM-7 and CM-8.
- **CM-25E WALL CHARGER** Charges CM-3 BATTERY PACK.
- **HS-10 HEADSET** With boom microphone for all ICOM portables (Requires HS-10SA or HS-10SB).
- **HS-10SA VOX UNIT** To be used with HS-10, for IC-H16, IC-U16 and IC-U2.
- **HS-10SB PTT SWITCH BOX** To be used with HS-10.